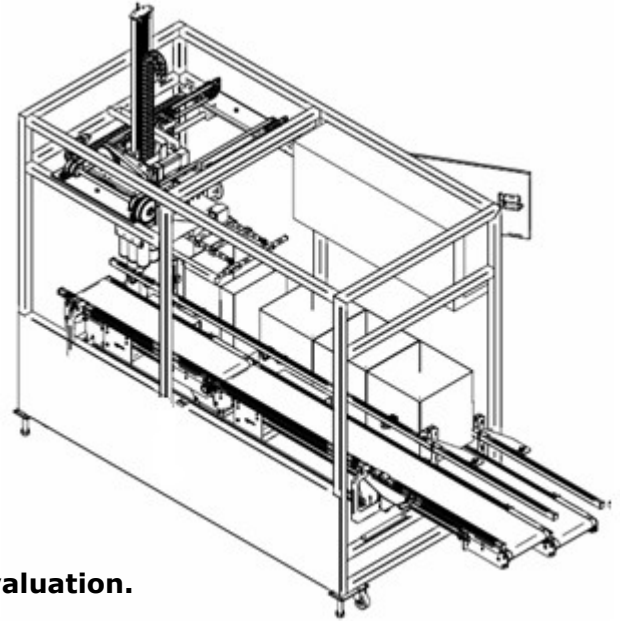


CP2500 CASE PACKER

The **CP2500** is a versatile, small footprint machine offering excellent value for money.

- Up to 25 cases/minute*
- **Allen Bradley PLC**
- Up to 12 cycles per minute*
- Dual axis servo-controlled controlled pick head
- One set of change part tooling
- Pneumatic channelizer (lane dividing)*
- 52" X 96" Footprint
- 3 condition stack light with HMI Fault Feedback
- Rugged construction – 2" x 2" welded tube frame
- Mild steel construction, powder coated paint
- Casters for portability
- Full interlocked guarding
- One operator / maintenance manual
- UL/CSA Approved components



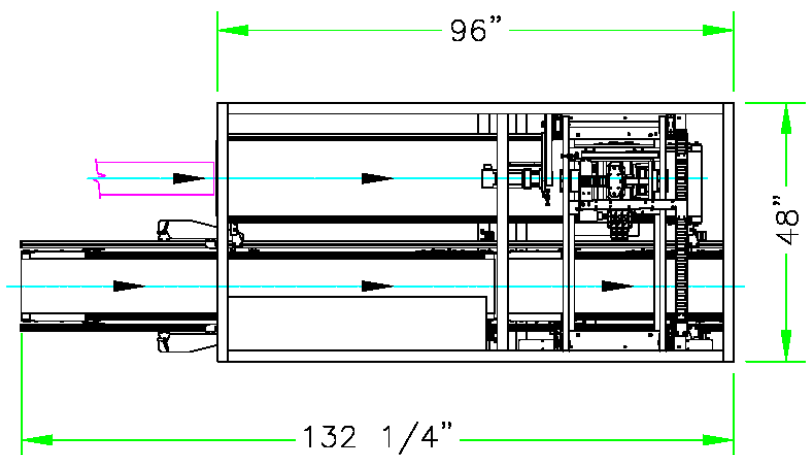
* speed and performance dependent upon sample evaluation.

Packer Options

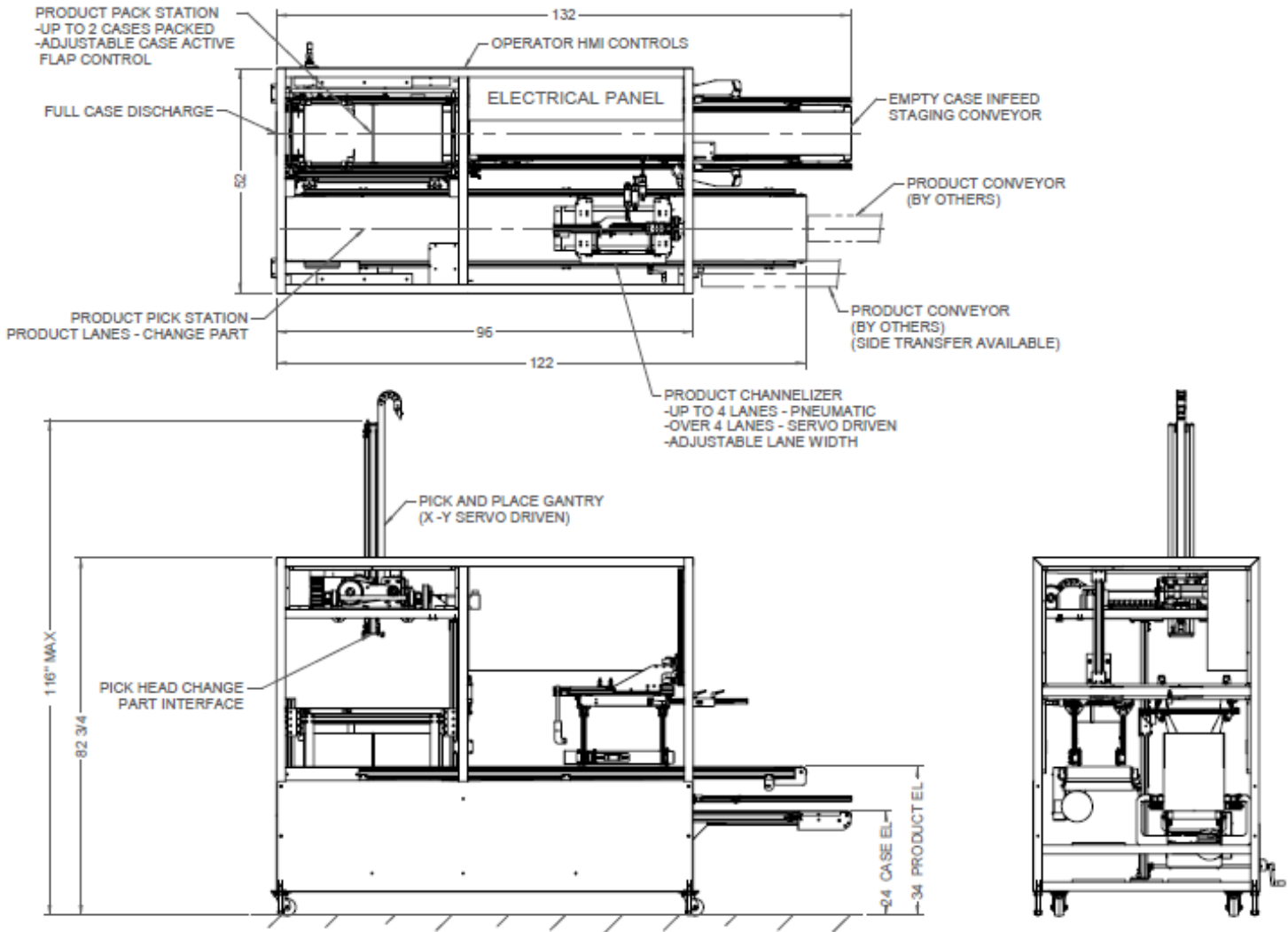
- Full stainless steel construction
- Partial stainless steel construction
- Electrical (480/3/60)
- Pre-start Health and Safety Review

Standard Utilities

- 220/3/60 Electrics
- 7 cfm @ 80 psi



Hoplite Automation Machinery LTD.



67 Victoria Str E PO Box 10074 Alliston, Ontario Canada L9R 0B7
Tel: 705-999-3755
www.hoplite-ltd.com