

CT2500 CASE SEALER

The **CT2500** is a heavy-duty, versatile, small footprint machine offering excellent value for money.

- Up to 30 cases/minute*
- 72" x 40" Footprint
- Heavy, rugged construction – 2" x 2" welded tube frame
- Mild steel construction, powder coated paint
- Casters for portability
- Full interlocked guarding
- One operator / maintenance manual
- UL/CSA Approved components

* speed and performance dependent upon sample evaluation.

CASE RANGE

| L | x | W | x | D | |
|-----|---|------|---|-----|------------|
| 6" | | 4.5" | | 5" | min |
| 24" | | 18" | | 14" | max |

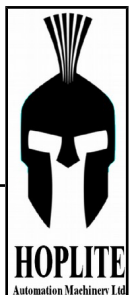
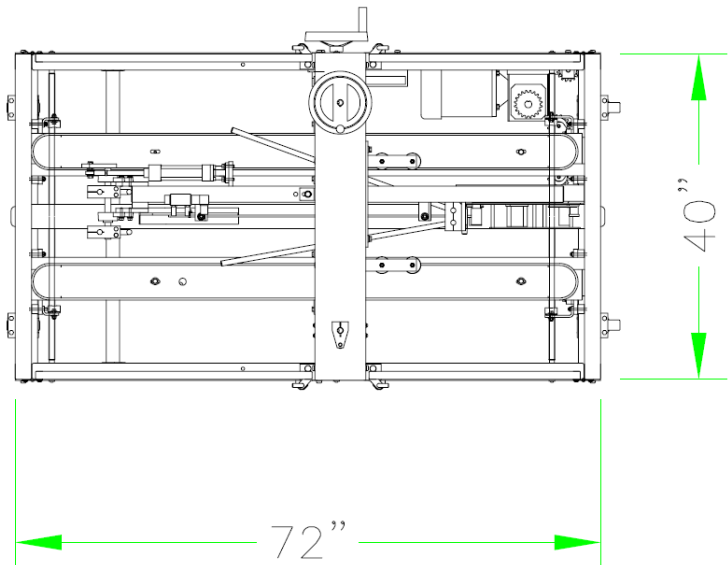
oversize case beyond noted range possible

Sealer Options

- Full stainless steel construction
- Hot Melt glue application
- Electrical (480/3/60)
- Pre-start Health and Safety Review

Standard Utilities

- 220/3/60 Electrics
- 7 cfm @ 80 psi



67 Victoria STr E, PO Box 10074 Alliston, Ontario Canada L9R 0B7

Tel: 705-999-3755

www.hoplite-ltd.com